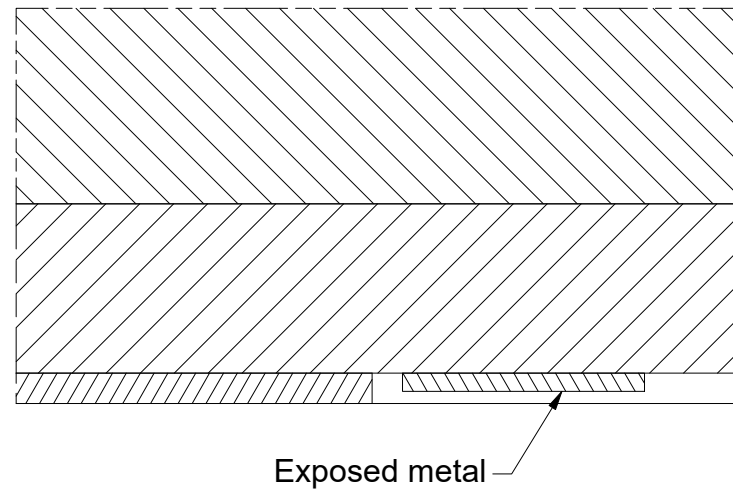
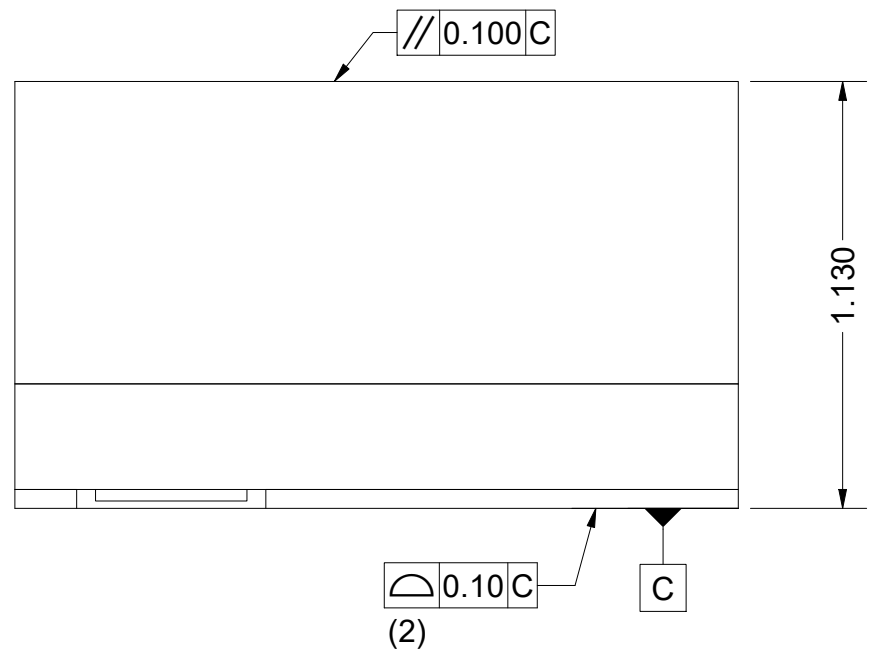
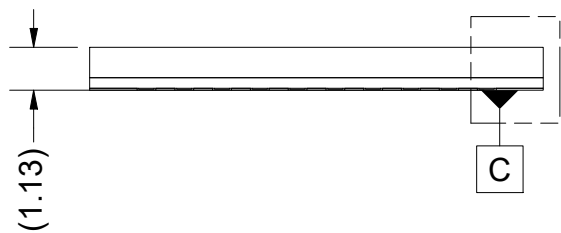


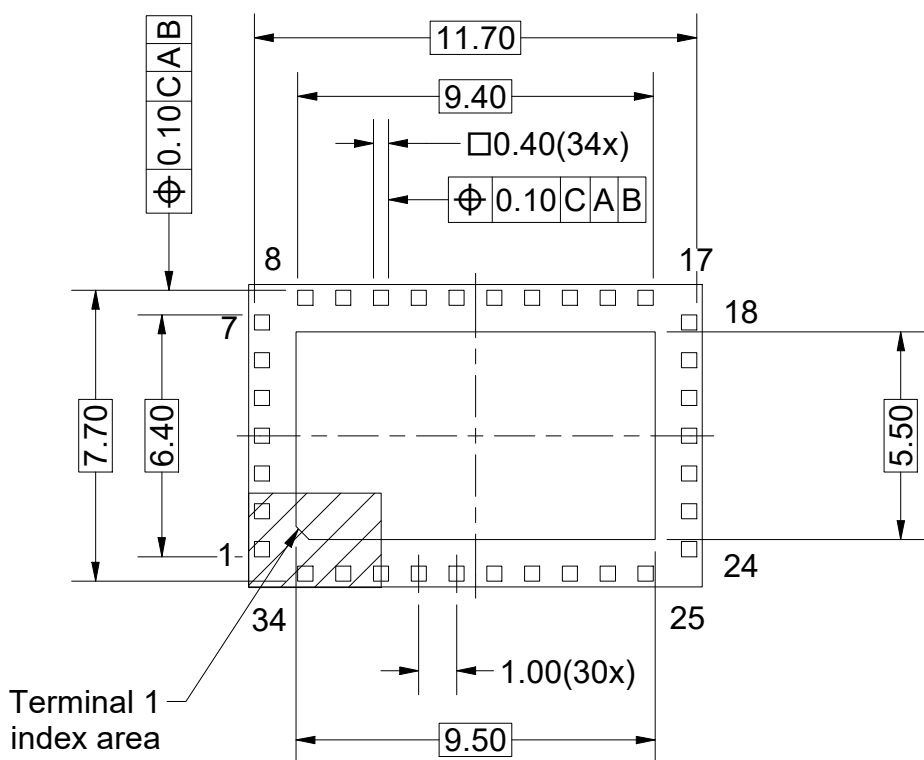
SECTION B-B  
SCALE 80:1  
Cropped view



See Detail A



DETAIL A  
SCALE 50 : 1



Package outline drawing:

units in mm.

Tolerances unless otherwise stated:

Dimension:  $\pm 0.10$

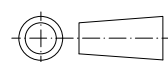
Angle:  $\pm 1^\circ$

Revision:

Revision date:

6/24/2024

LGA-12x8-34-3  
Publication



Third angle projection

Sheet 1 of 2

### Drawing Notes

Items	Description
(1)	Metal thickness of solder pads.
(2)	Flatness with respect to exposed metal
(3)	Pin 1 dimension, position and shape may vary.

Package outline drawing:

LGA-12x8-34-3

units in mm.

Tolerances unless otherwise stated:

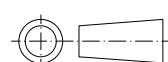
Dimension:  $\pm 0.10$

Angle:  $\pm 1^\circ$

Revision:

Revision date:

6/24/2024



Third angle projection

Sheet 2 of 2